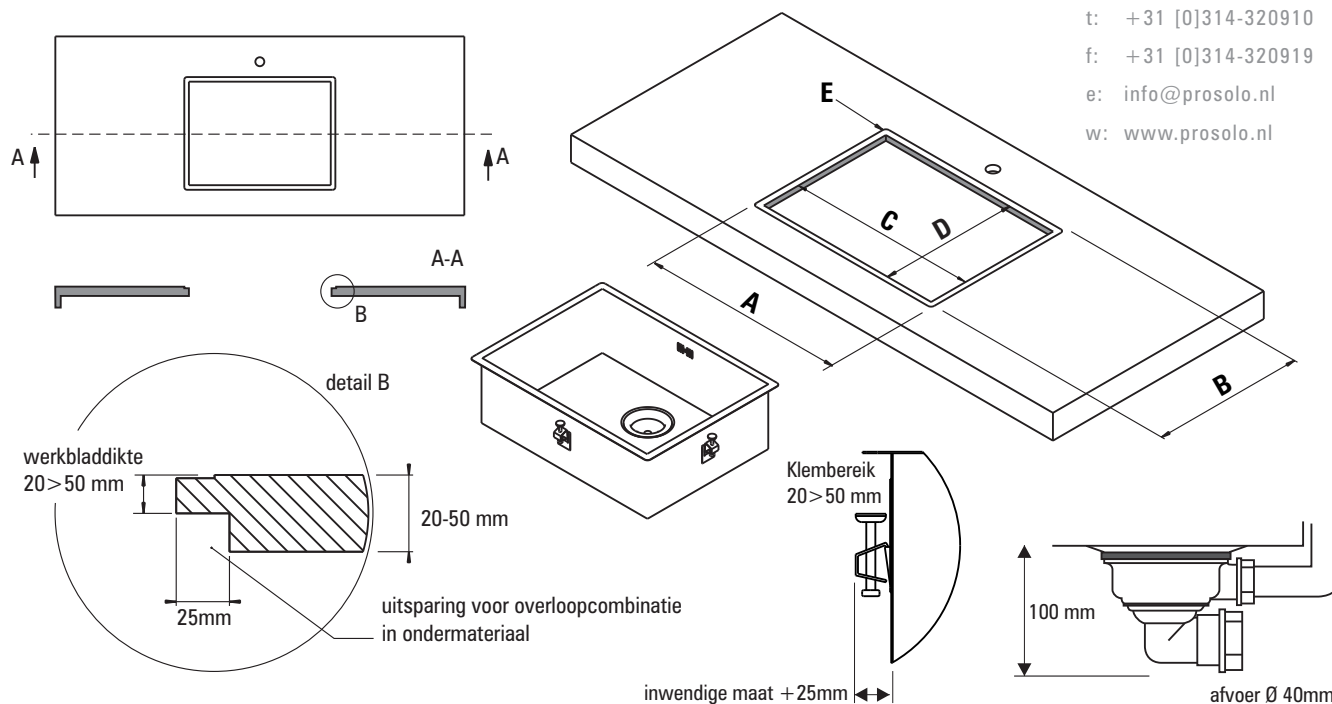


Type	Inwendig [mm]	Uitwendig [mm]	AxB [mm]	C radius [mm]
BIN20	200x400x130	240x440x135	196x396	10mm
BIN34	340x400x185	380x440x190	336x396	10mm
BIN40	400x400x185	440x440x190	396x396	10mm
BIN46	460x460x185	500x500x190	456x456	10mm
BIN50	500x400x184	540x440x190	496x396	10mm
BIN55	550x400x185	590x440x190	546x396	10mm
BIN80	800x400x185	840x440x190	796x396	10mm
BIN4020 BIN2040	400/200x400x185/130 200/400x400x130/185	660x440x190	616x396	10mm
BIN3434	340/340x400x185	740x440x190	696x396	10mm
BINGARA 52 AFDRUIPVLAK	520x400x20	560x440x22	516x396	10mm
BARONGA GFT	230x230x185	380x380x190	336x336	10mm



Type	Inwendig [mm]	AxBxdiepte [mm]	CxD [mm]	E radius [mm]
------	---------------	-----------------	----------	---------------

BINGARA 20vi	200x400x130	241x441x1 + lijmdikte	212x412	10,5
BINGARA 34vi	340x400x185	381x441x1 + lijmdikte	352x412	10,5
BINGARA 40vi	400x400x185	441x441x1 + lijmdikte	412x412	10,5
BINGARA 46vi	460x460x185	501x501x1 + lijmdikte	472x472	10,5
BINGARA 50vi	500x400x185	541x441x1 + lijmdikte	512x412	10,5
BINGARA 55vi	550x400x185	591x441x1 + lijmdikte	562x412	10,5
BINGARA 80vi	800x400x185	841x441x1 + lijmdikte	812x412	10,5
BINGARA 4020vi 2040vi	400/200x400x185/130 200/400x400x130/185	661x441x1 + lijmdikte	632x412	10,5
BIN3434	340/340x400x185	741x441x1 + lijmdikte	712x412	10,5
BINGARA 52vi afdruipvlak	520x400x22	561x441x1 + lijmdikte	532x412	10,5
BARONGA GFT	230x230x185	381x381x1 + lijmdikte	352x352	10,5