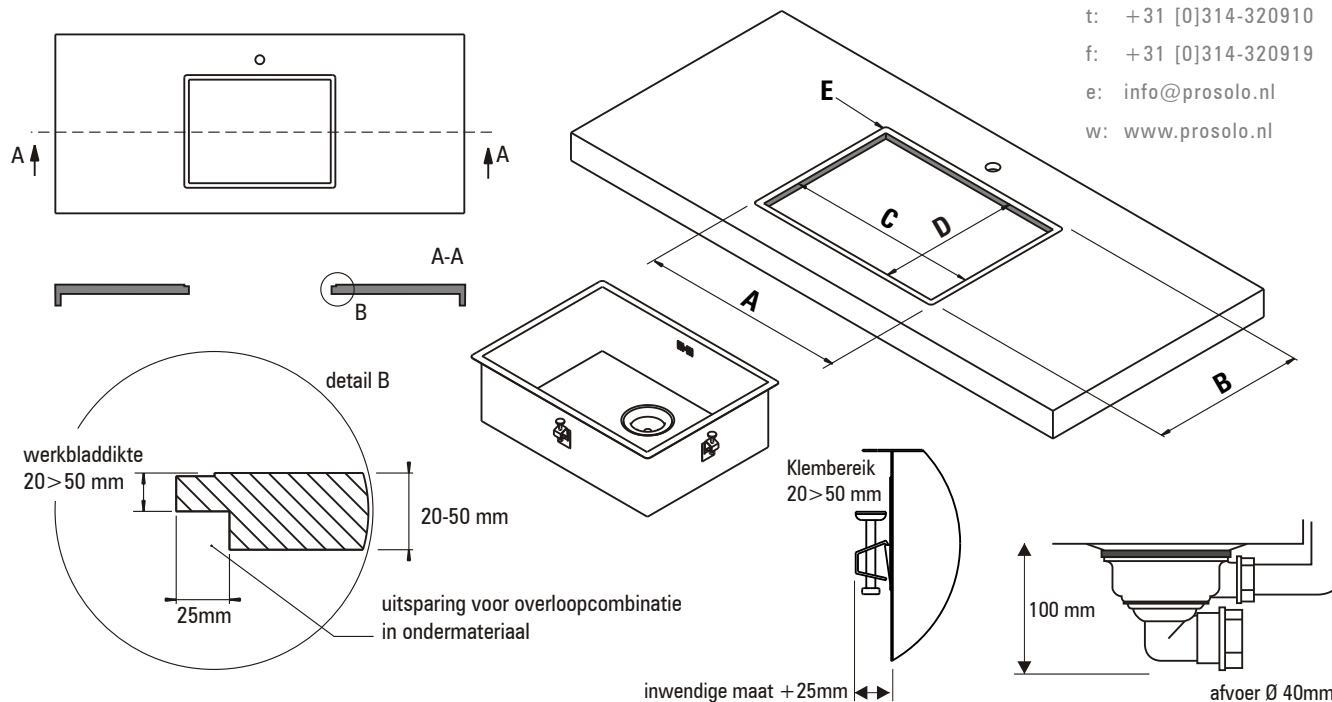


Type	Inwendig [mm]	Uitwendig [mm]	AxB [mm]	C radius [mm]
BAR16	160x340x130	200x380x135	156x336	>1
BAR2013	200x400x130	240x440x135	196x396	>1
BAR34	340x400x185	380x440x190	336x396	>1
BAR40	400x400x185	440x440x190	396x396	>1
BAR4010	400x400x100	440x440x190	396x396	>1
BAR46	460x460x185	500x500x190	456x456	>1
BAR50	500x400x185	540x440x190	496x396	>1
BAR55	550x400x185	590x440x190	546x396	>1
BAR5510	550x400x100	590x440x190	546x396	>1
BAR80	800x400x185	840x440x190	796x396	>1
BAR1534	150/340x400x185	550x440x190	506x396	>1
BAR3415	340/150x400x185	550x440x190	506x396	>1
BAR3737	370/370x400x185	800x440x190	756x396	>1
BAR5240	520/400x400x20/185	980x440x190	936x396	>1
BARC120R	1200x480x20/185	1240x520x210	1196x476	>1
BARC120L	1200x480x185/20	1240x520x210	1196x476	>1
BAR52*	520x400x20	560x440x25	516x396	>1
BARGFT	230x230x185 <i>* sanitairplug zijkant</i>	380x380x190	336x336	>1
BAR6054	540x440x185	600x500x200	tussenbouw	-



Type	Inwendig [mm]	AxBxdiepte [mm]	CxD [mm]	E radius [mm]
BAR16vi	160x340x130	201x381x1 + lijmdikte	172x352	10,5
BAR2013vi	200x400x130	241x441x1 + lijmdikte	212x412	10,5
BAR34vi	340x400x185	381x441x1 + lijmdikte	352x412	10,5
BAR40vi	400x400x185	441x441x1 + lijmdikte	412x412	10,5
BAR4010vi	400x400x100	441x441x1 + lijmdikte	412x412	10,5
BAR46vi	460x460x185	501x501x1 + lijmdikte	472x472	10,5
BAR50vi	500x400x185	541x441x1 + lijmdikte	512x412	10,5
BAR50Kvi	500x400x185	531x531x1 + lijmdikte	512x512	10,5
BAR55vi	550x400x185	591x441x1 + lijmdikte	562x412	10,5
BAR5510vi	550x400x100	591x441x1 + lijmdikte	562x412	10,5
BAR80vi	800x400x185	841x441x1 + lijmdikte	812x412	10,5
BAR1534vi	150/340x400x185	551x441x1 + lijmdikte	522x412	10,5
BAR3415vi	340/150x400x185	551x441x1 + lijmdikte	522x412	10,5
BAR3737vi	370/370x400x185	801x441x1 + lijmdikte	772x412	10,5
BAR5240vi	520/400x400x20/185	981x441x1 + lijmdikte	952x412	10,5
BARC120Rvi	1200x480x20/185	1241x521x1 + lijmdikte	1212x492	10,5
BARC120Lvi	1200x480x20/185	1241x521x1 + lijmdikte	1212x492	10,5
BAR52vi*	520x400x20 * sanitairplug zijkant	561x441x1 + lijmdikte	532x412	10,5
BARGFT	230x230x185	381x381x1 + lijmdikte	342x342	10,5